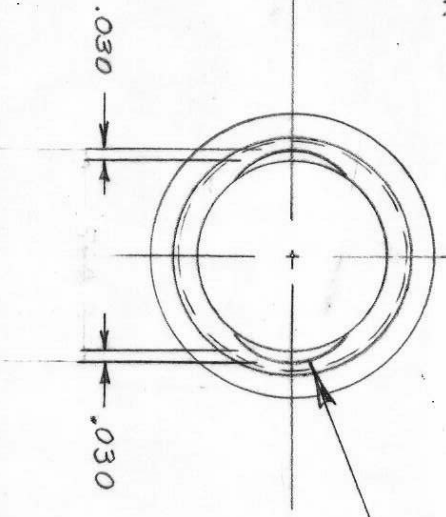
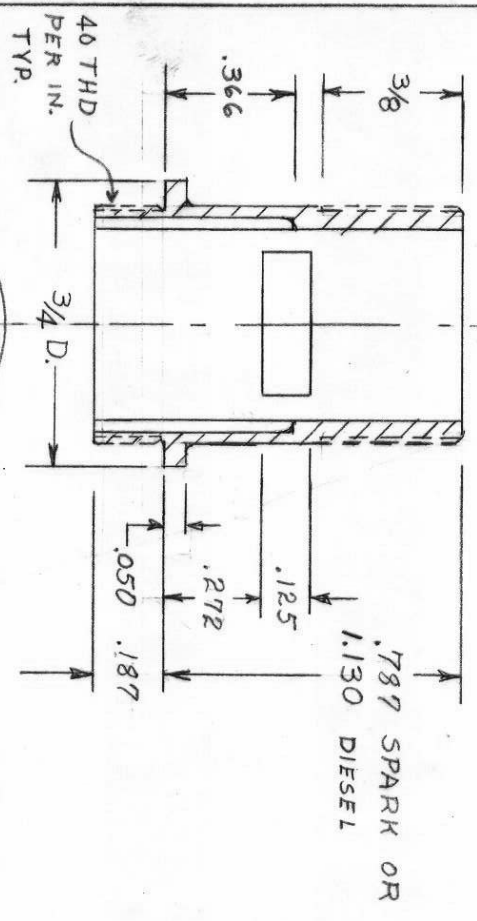
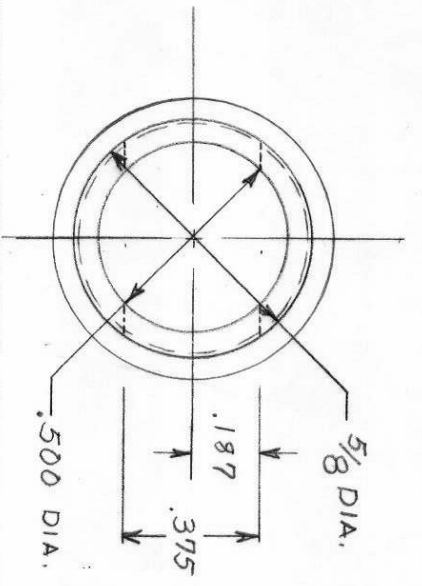
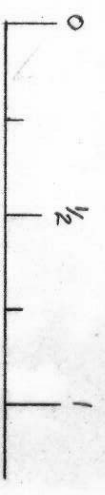


INTAKE TIMING:  
THE 5/32 DIA CRANKSHAFT PORT  
SHOULD JUST START OPENING  
AS PISTON CLOSES EXHAUST  
PORT.

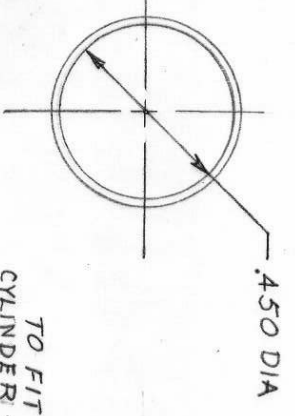
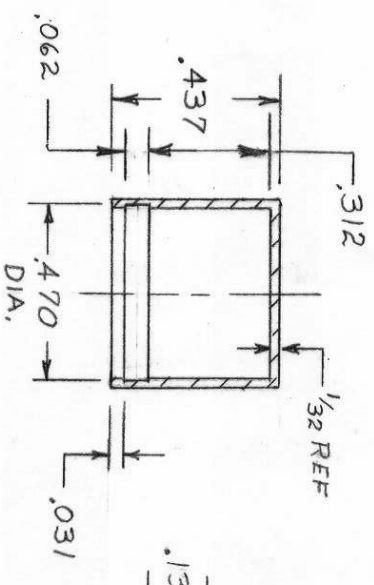
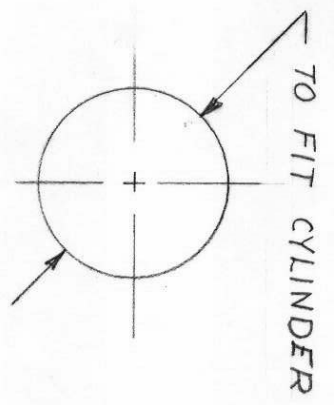
PLATE 1.  
THE SCHROEDER "9"



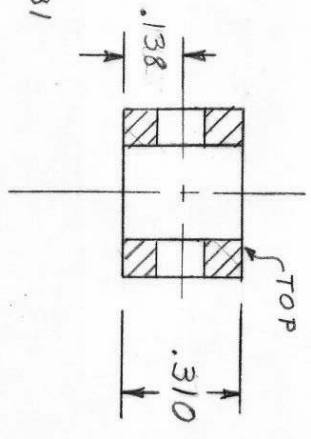
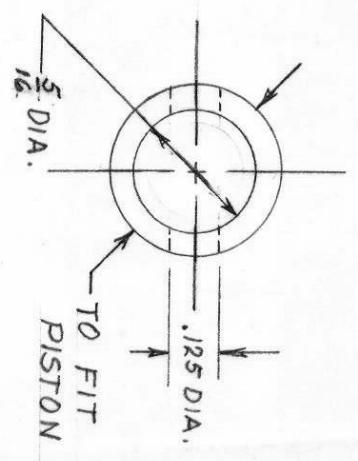
CYLINDER  
STEEL



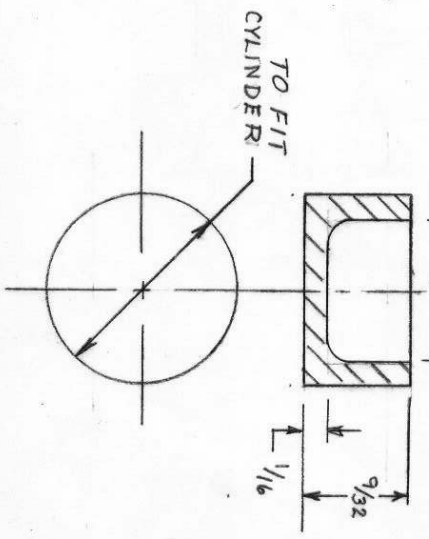
CUT BY-PASS WITH  
3/8 DIA. END MILL



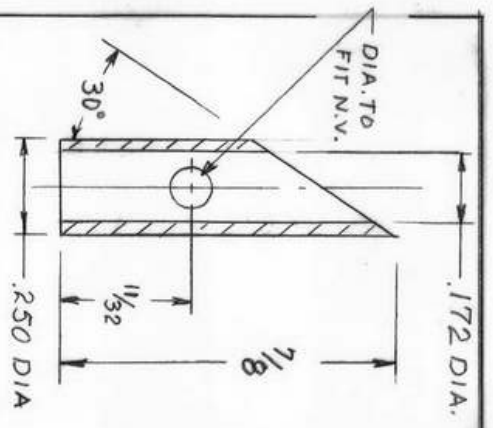
PISTON  
STEEL



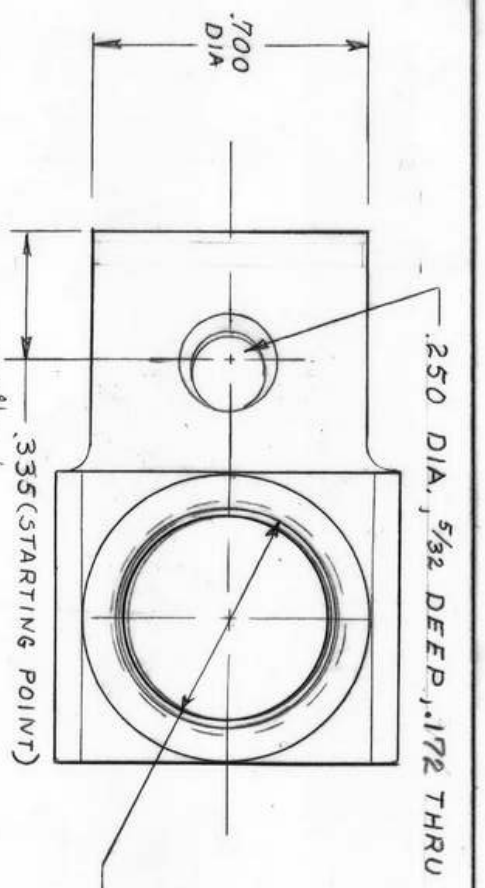
SUB-PISTON  
ALUMINUM



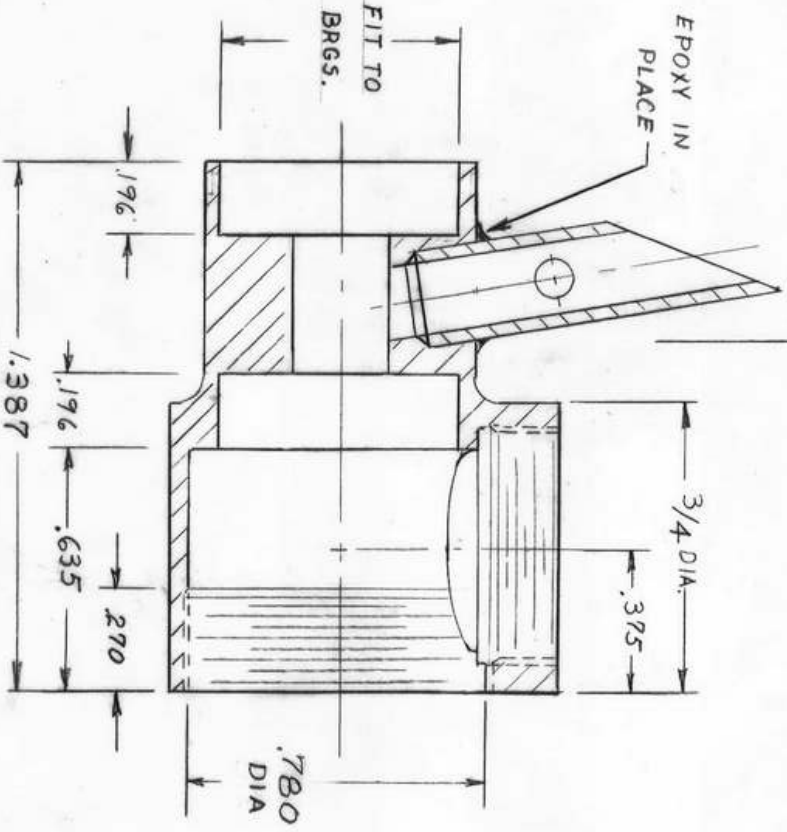
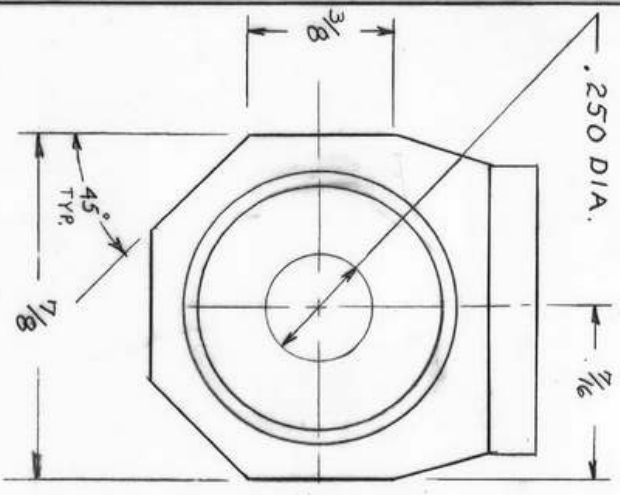
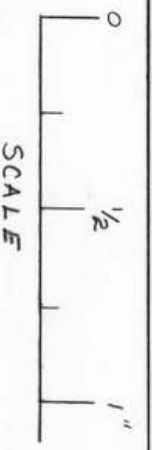
CONTRA-PISTON  
STEEL



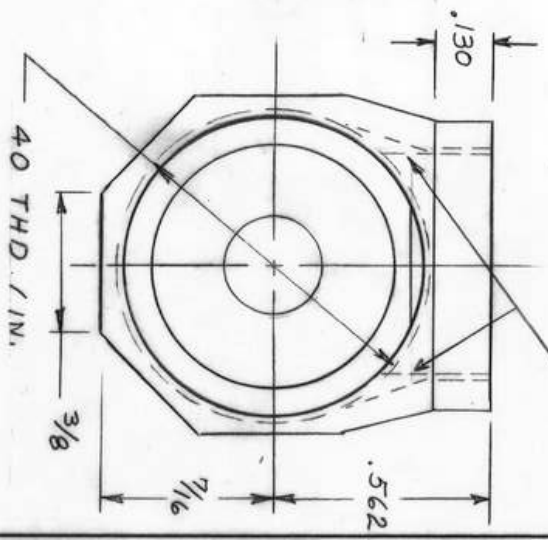
VENTURI (ALTERNATE)  
ALUM.



BORE .575 3/32 DEEP  
.625 - 40THD, FIT TO  
CYLINDER .500 DIA  
THROUGH



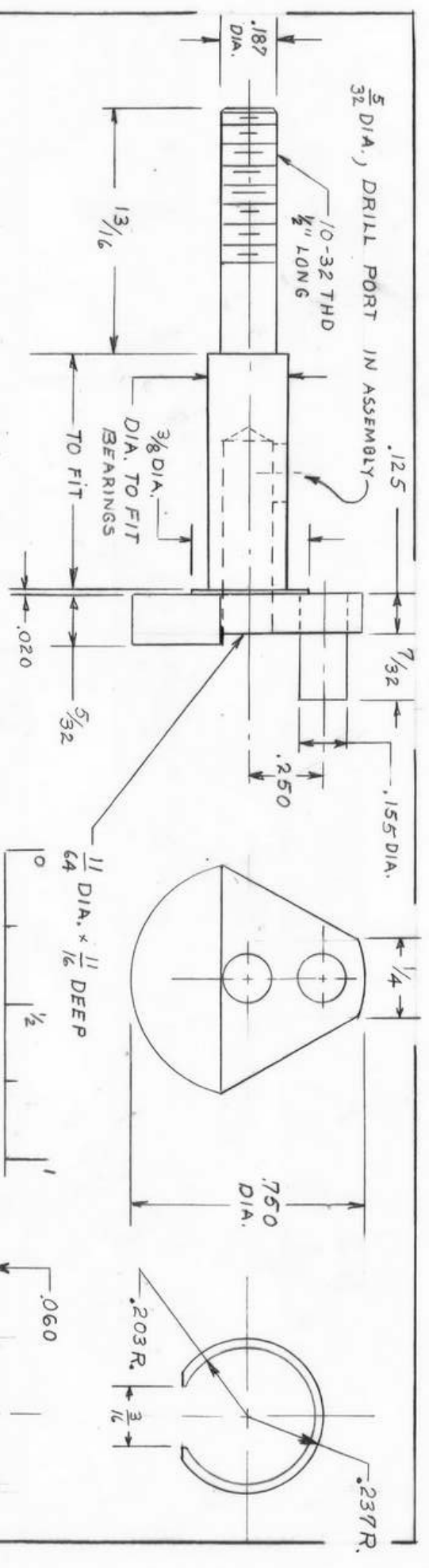
CRANKCASE  
ALUMINUM



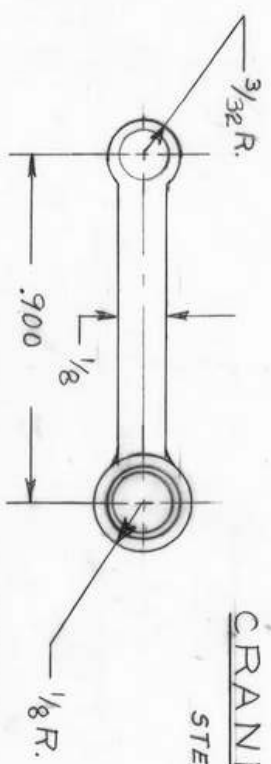
CUT AWAY FOR CON.  
ROD CLEARANCE

PLATE 3.

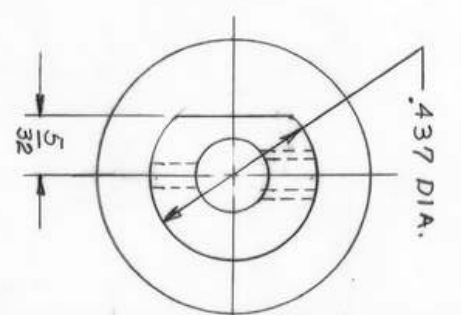
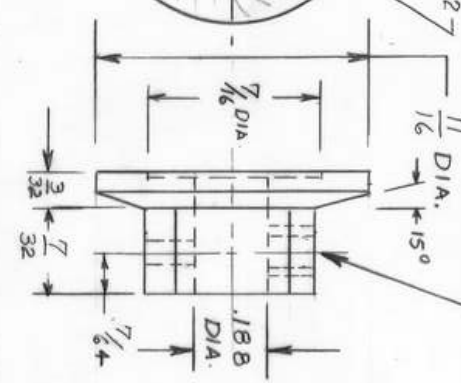
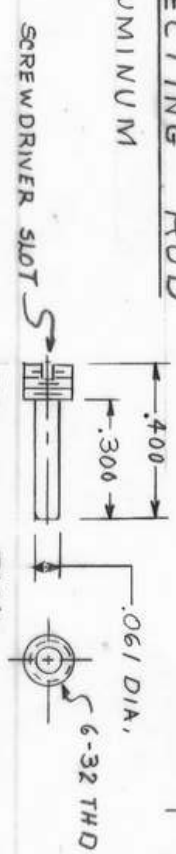
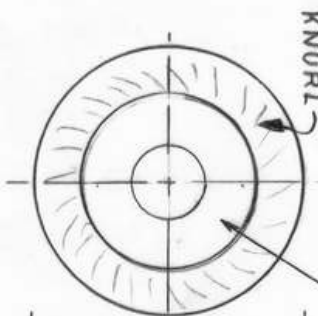
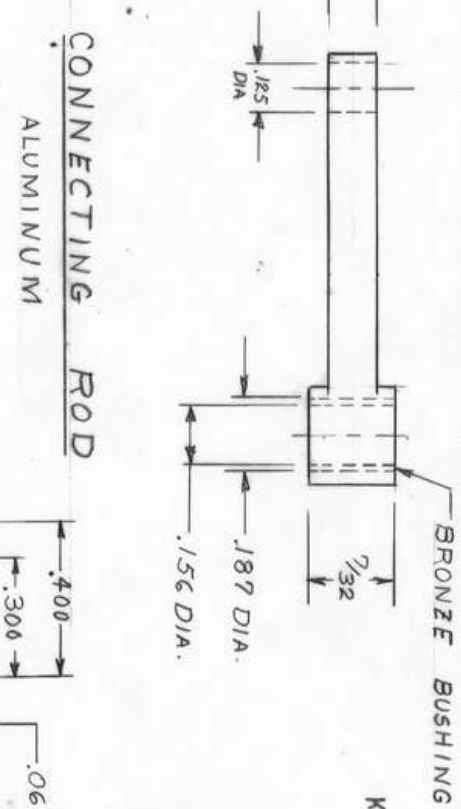
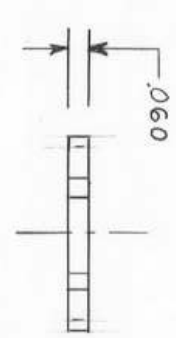
THE SCHROEDER "9"  
CRANKCASE DETAIL



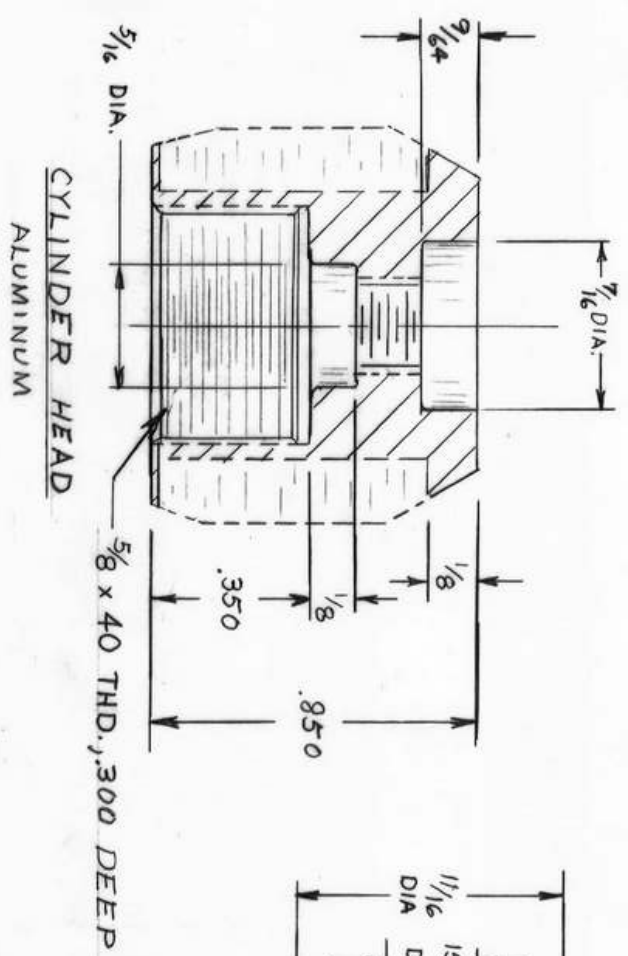
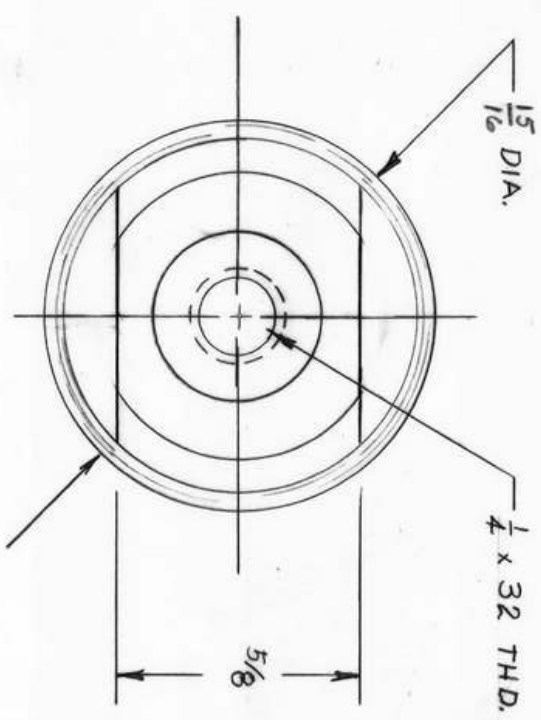
**CRANKSHAFT**  
STEEL



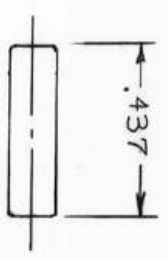
**SUB-PISTON**  
**RETAINER**  
STEEL



**THE SCHROEDER "9"**  
SHAFT DETAILS  
**PLATE 4.**

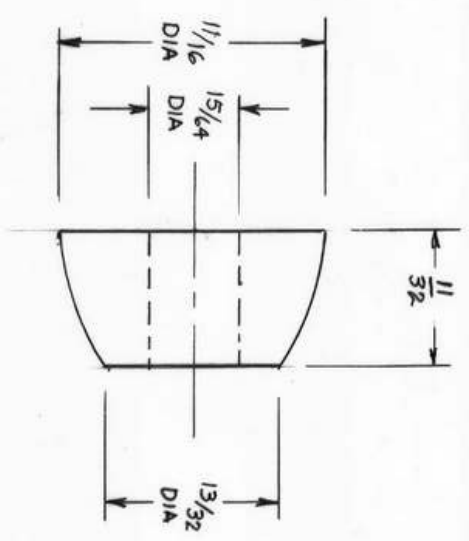
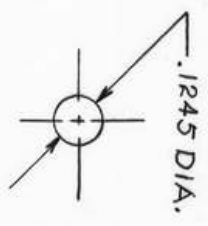


SCALE



PISTON PIN

MUSIC WIRE OR  
DRILL ROD



FRONT WASHER

ALUMINUM

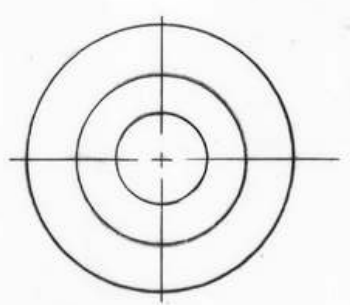


PLATE 5

THE SCHROEDER "9"

MISC. DETAILS

SCALE

0 1/2 1

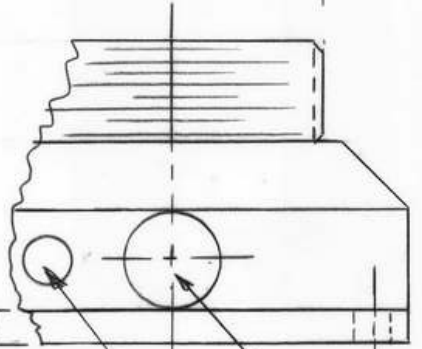
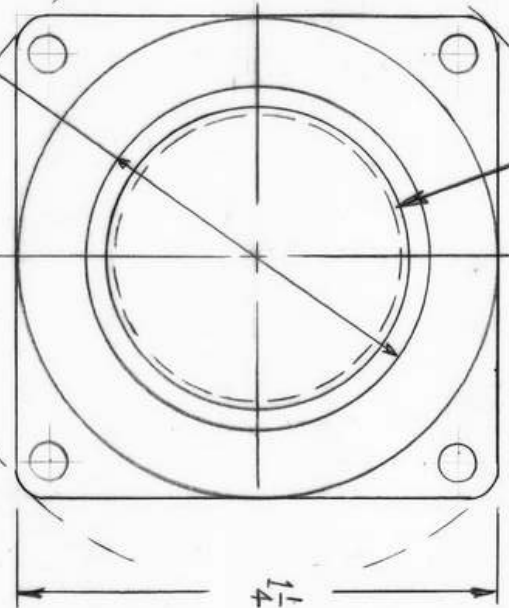
.81 DIA  
APPROX

40 THD / IN. CUT TO  
FIT CRANKCASE

OUTLINE OF  
FLANGE AS  
TURNED

7/8 DIA. REF.

1 3/4 DIA.



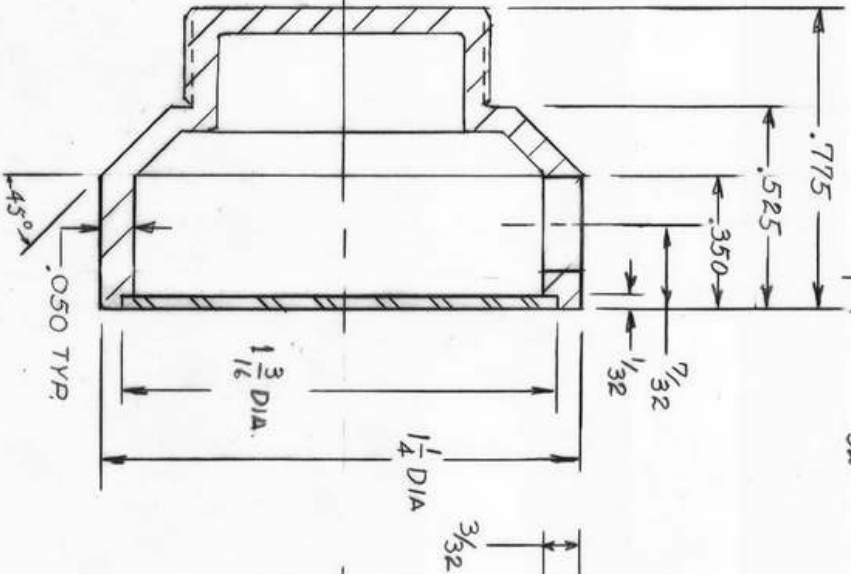
1/4 DIA FOR "GITS" CAP

HOLE FOR  
FUEL LINE

3/32 FLANGE WIDTH

NOTE:

MAKE FROM 6061  
OR 7075 ALUMINUM



45°  
.050 TYP

1 3/16 DIA.

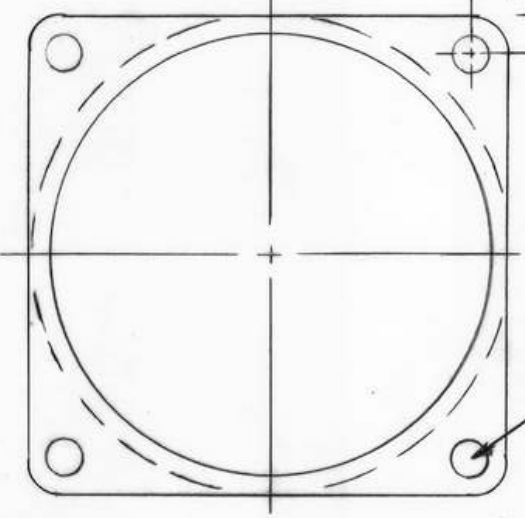
1 1/4 DIA.

3/32

7/32

1/32

3/32

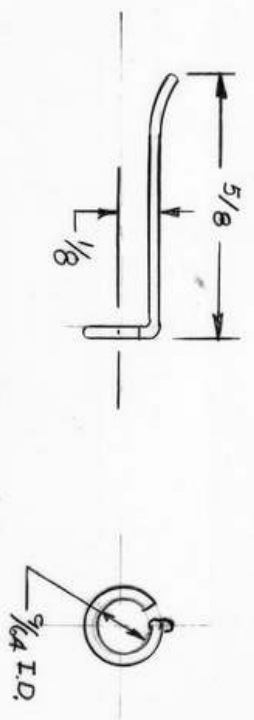
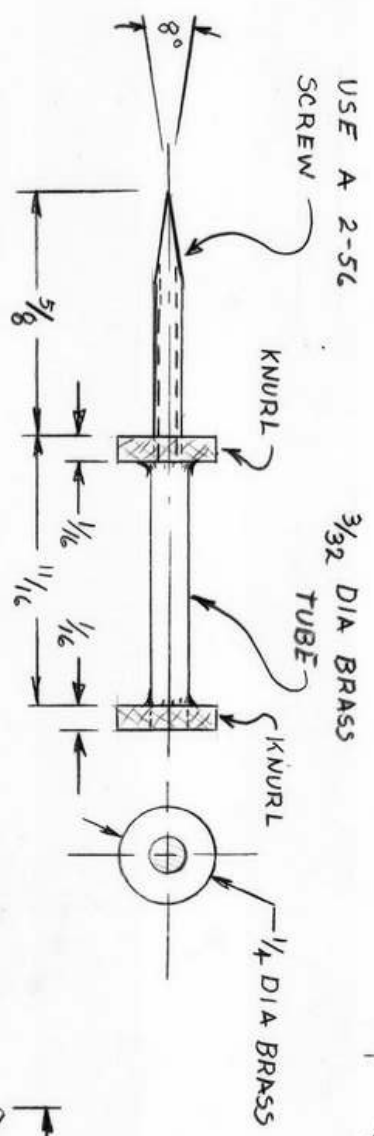
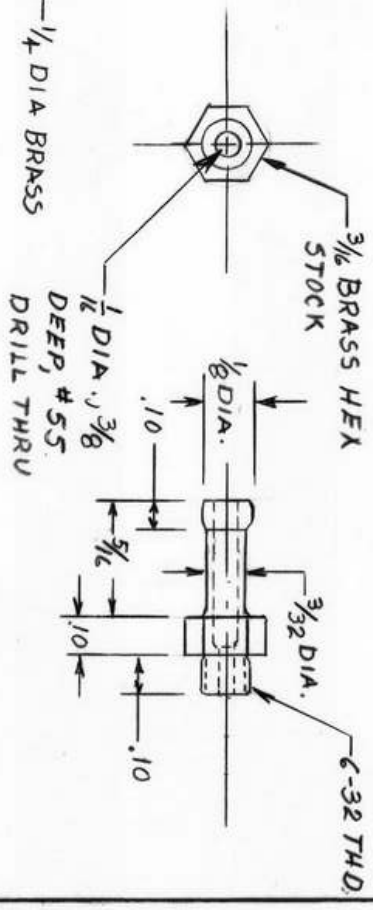
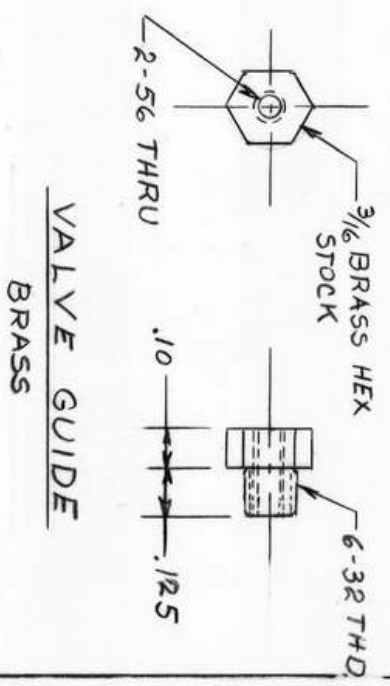
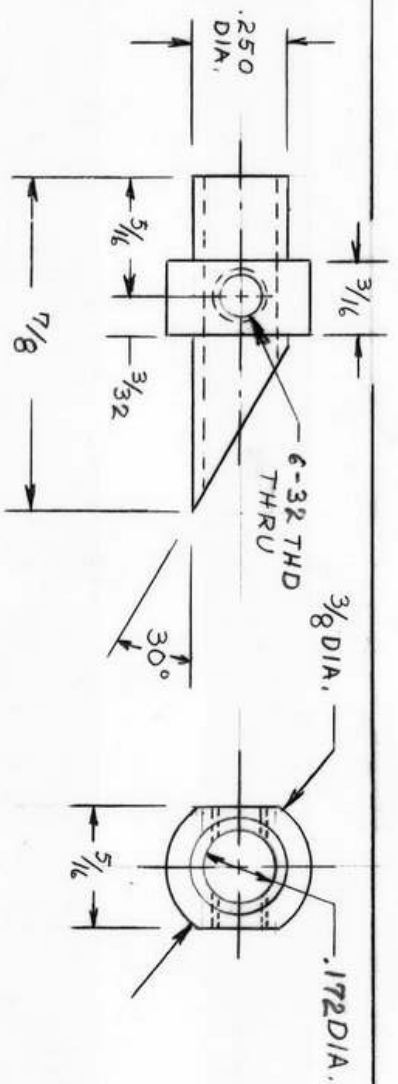


3/32 DIA.  
4 HOLES

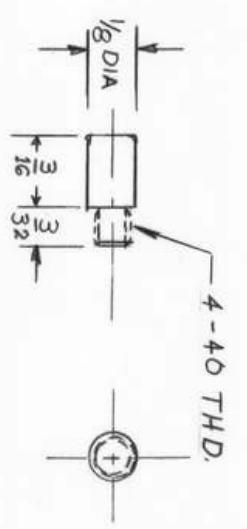
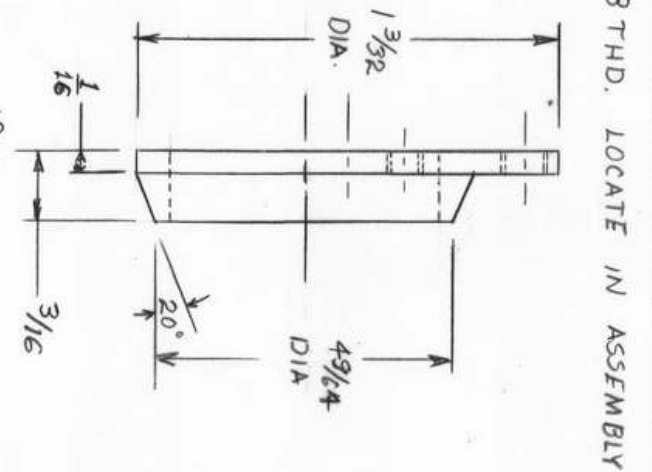
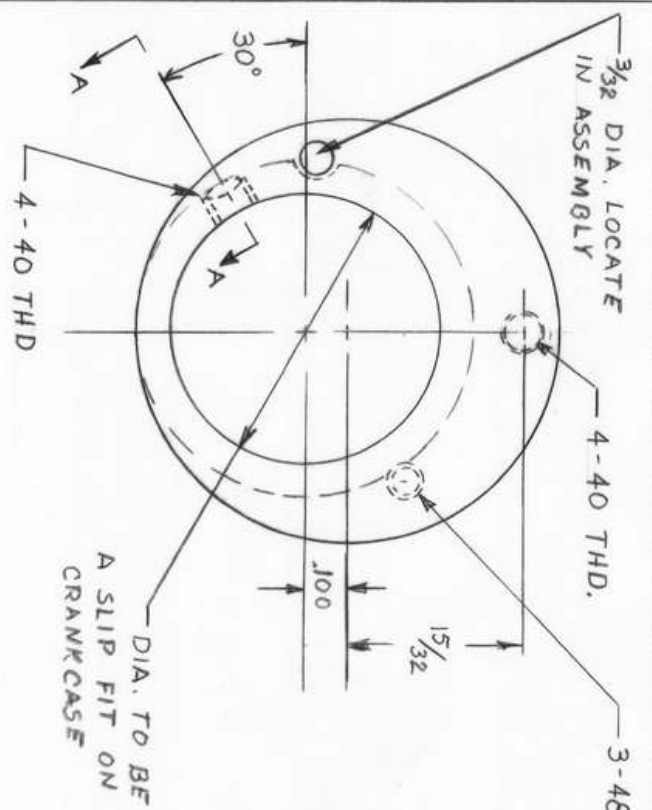
PLATE 6.

THE SCHROEDER "9"

TANK - MOUNT

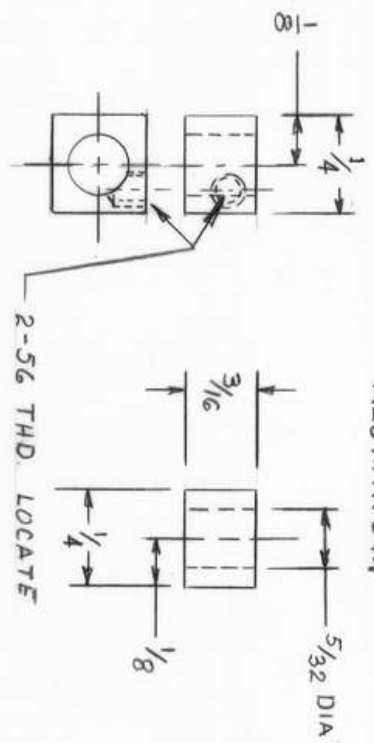


THE SCHROEDER "9"  
VENTURI & NEEDLE VALVE

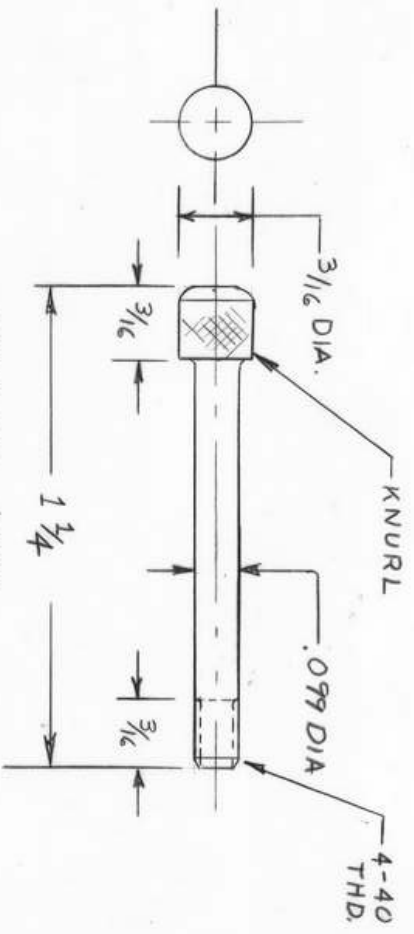


**TIMER FRAME**  
ALUMINUM

**SCALE**  
SECTION A-A



**FIXED POINT SUPPORT**  
ALUMINUM



**TIMER ARM**  
ALUMINUM

PLATE 8  
THE SCHROEDER "9"  
IGNITION TIMER